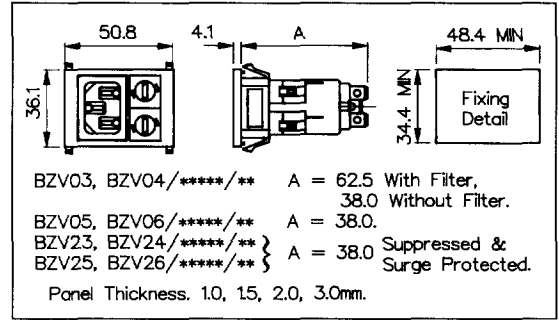


BULGIN Polysnap® Power Inlet Modules

IEC Inlet - Vertical



- Vertical Module Arrangement
- Snap-in Components
- Inlet Variations (with various tag sizes)
- Fuseholder/Voltage Selector/Indicator options/Blanking plate
- Filtered Inlet Option



How to Order

BZV xx / xxxxx / xx



Type of Inlet / Outlet	Filtered or Non Filtered Inlet	Combination of Other Components
Power Inlet (cold condition), 6.3 or 2.8mm tabs: 03 = PX0575/63 04 = PX0575/28 Power Inlet (hot condition), 6.3 or 2.8mm tabs: 05 = PX0595/63 06 = PX0595/28 Suppressed Power Inlet (cold condition), 6.3 or 2.8mm tabs: 23 = PXS575/63 24 = PXS575/28 Surge Protected Power Inlet (cold condition), 6.3 or 2.8mm tabs: 25 = PXT575/63 26 = PXT575/28 <div style="border: 1px solid black; padding: 5px; width: fit-content;"> Please note type 05 and 06 are not available in filtered version </div>	Z0000 = Non Filtered Axxxx = Standard Bxxxx = Medical Cxxxx = High Performance Standard Dxxxx = High Performance Medical Exxxx = Earth Line Choke <div style="border: 1px solid black; padding: 10px; text-align: center;"> For Filtered inlet use 6th to 9th characters from filter ordering code see pages 75-79. E.g. BZV04/A0120/04 </div>	Twin Fuseholder: 04 = 2 x FX0359 Voltage Selector and Fuseholder: 14 = 1 x VS0001 + 1 x FX0359 Voltage selector and Neon: 37 = 1 x VS0001 + DX0928/110V/RD 38 = 1 x VS0001 + DX0928/110V/GN 39 = 1 x VS0001 + DX0928/250V/RD 40 = 1 x VS0001 + DX0928/250V/GN Fuseholder and Neon: 41 = 1 x FX0359 + DX0928/110V/RD 42 = 1 x FX0359 + DX0928/110V/GN 43 = 1 x FX0359 + DX0928/250V/RD 44 = 1 x FX0359 + DX0928/250V/GN Fuseholder and Blanking Plate: 45 = 1 x FX0359 + Blanking Plate

Note: For technical details of individual components please see page 54